

**Roof view**

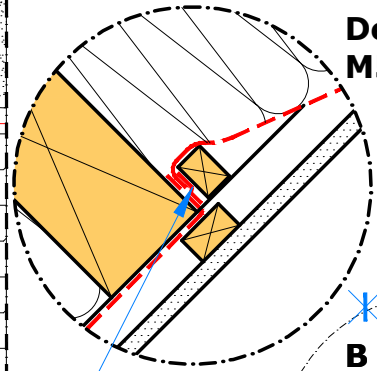
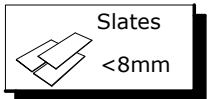
Vapor-tight joint with **VELUX B BX** tape and a fixing batten

**VELUX EKS Quatro** Flashing for up to 16mm total thickness slate roofs

**Section A-A**  
**M10**

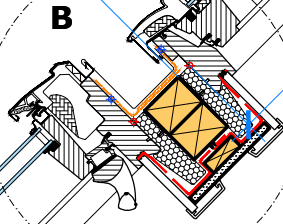
**1/2**

Trimmers where necessary



**Detail D**  
**M5**

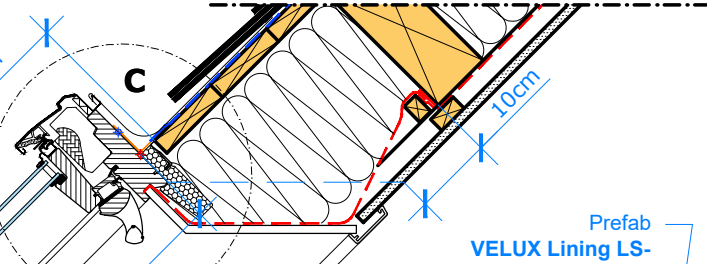
Opening height =  $L+60\text{mm}$



**B**

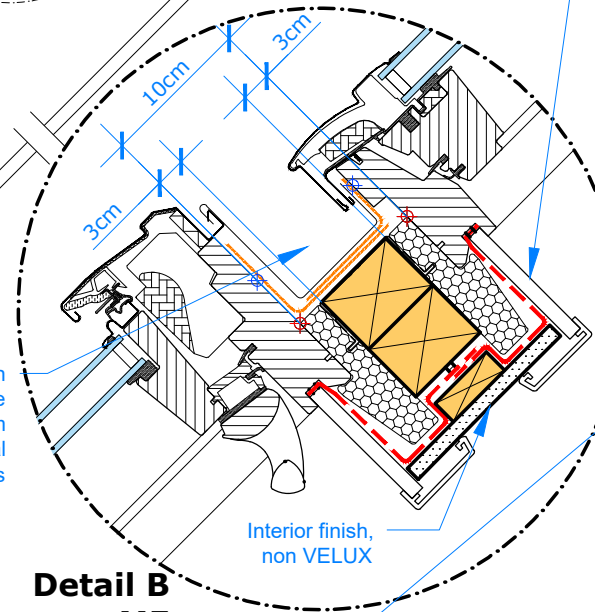
Window sill, non **VELUX**

Distance between windows one above the another: 10cm or 25cm when installing external roller shutters

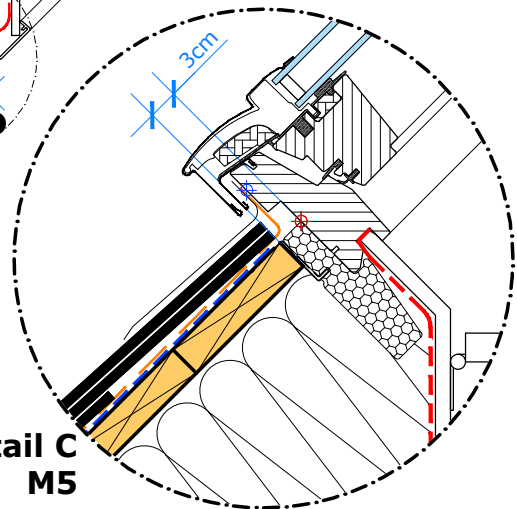


**Detail B**  
**M5**

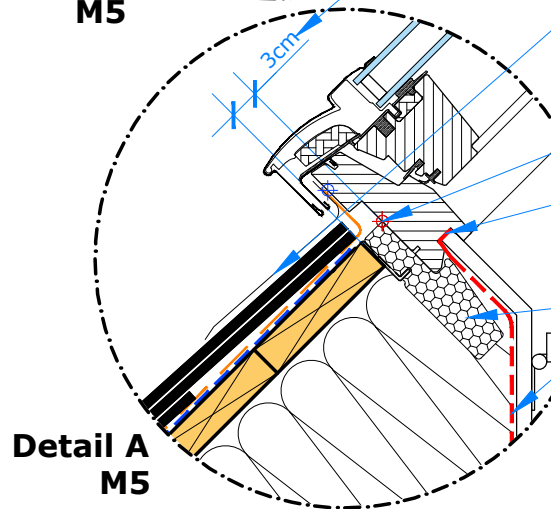
Prefab **VELUX Lining LS-**



Interior finish, non **VELUX**



**Detail C**  
**M5**



**Detail A**  
**M5**

**VELUX Products**

- GGL**  
15°-90°
- EKS --21-**  
15°-90°
- EKS ---4-**  
15°-90°
- EKS ---6-**  
15°-90°
- BFX**
- BDX 2000**
- BBX**

Installation opening in the sheathing is greater than the window sash with 3cm on each site. This void is needed for installing the insulation frame **VELUX BDX**

**VELUX EKS Quatro** Flashing for up to 16mm total thickness slate roofs

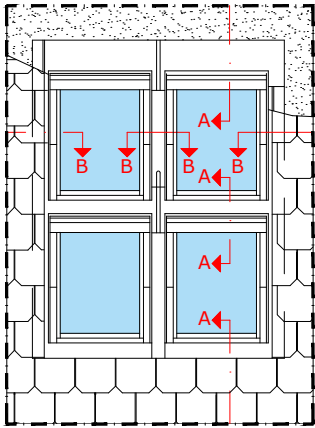
Red level of installation

Gasket on **BBX** in window rebate

**VELUX BDX** Insulation frame

**VELUX** Vapour barrier **BBX**



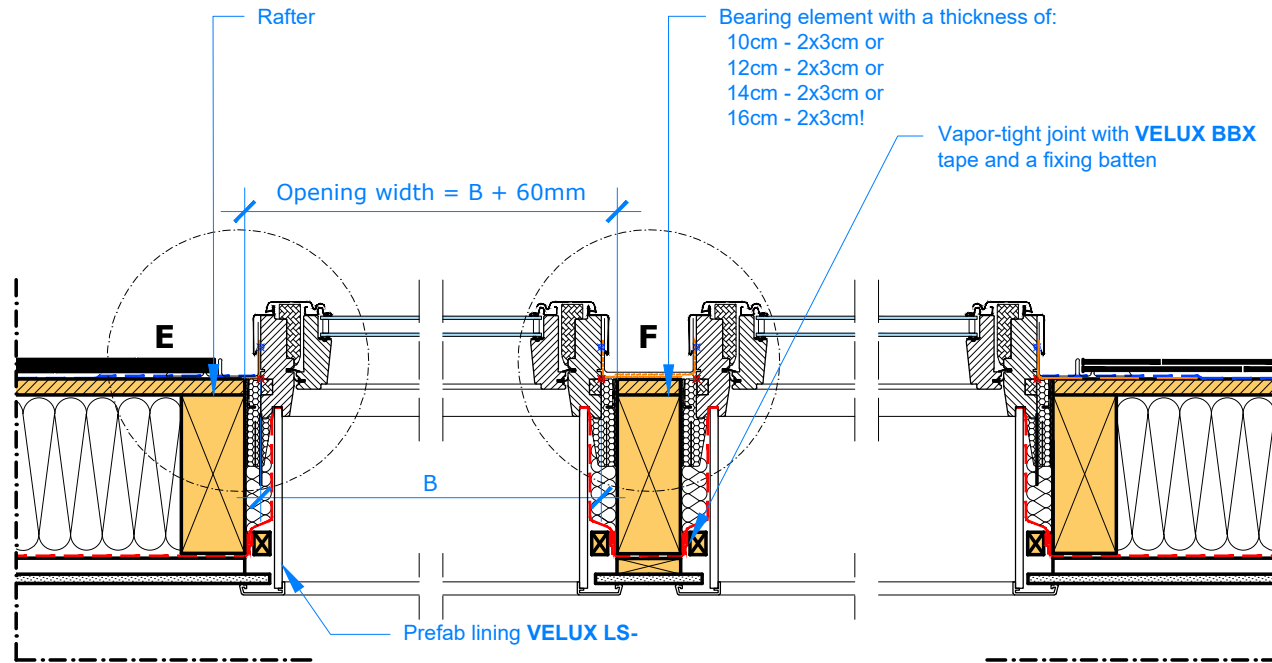
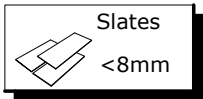


**Roof view**

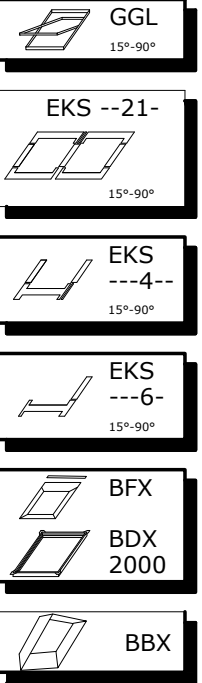
External dimensions of window frames in cm

GGL_50	B x L
CK02	55 x 78
CK04	55 x 98
CK06	55 x 118
FK04	66 x 98
FK06	66 x 118
FK08	66 x 140
MK04	78 x 98
MK06	78 x 118
MK08	78 x 140
MK10	78 x 160
PK06	94 x 118
PK08	94 x 140
PK10	94 x 160
SK06	114 x 118
SK08	114 x 140
SK10	114 x 160
UK04	134 x 98
UK08	134 x 140

**2/2**



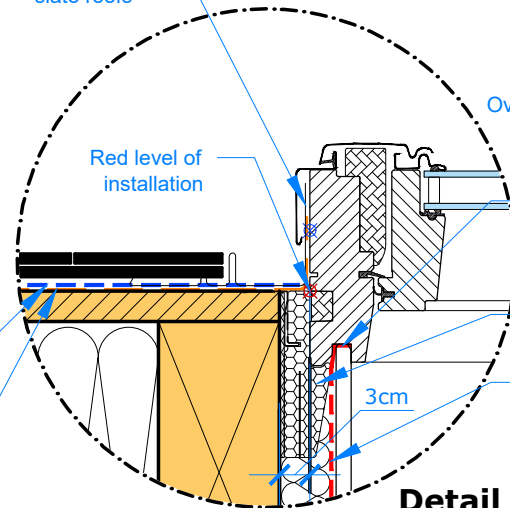
**Section B-B / M10**



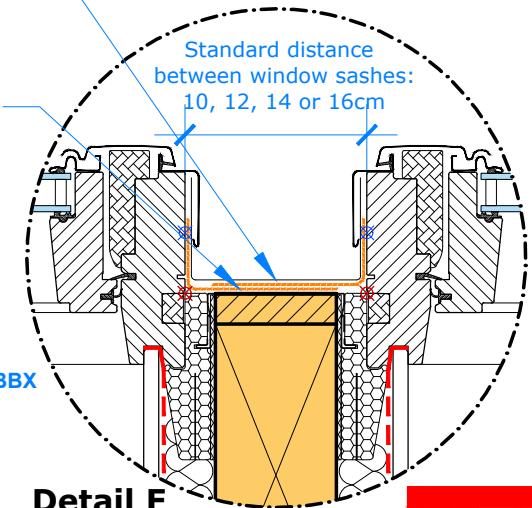
**VELUX Products**

**VELUX EKS Quatro**  
Flashing for up to 16mm total thickness slate roofs

**VELUX EKS Quatro** Flashing for up to 16mm total thickness slate roofs



**Detail E M5**



**Detail F M5**

